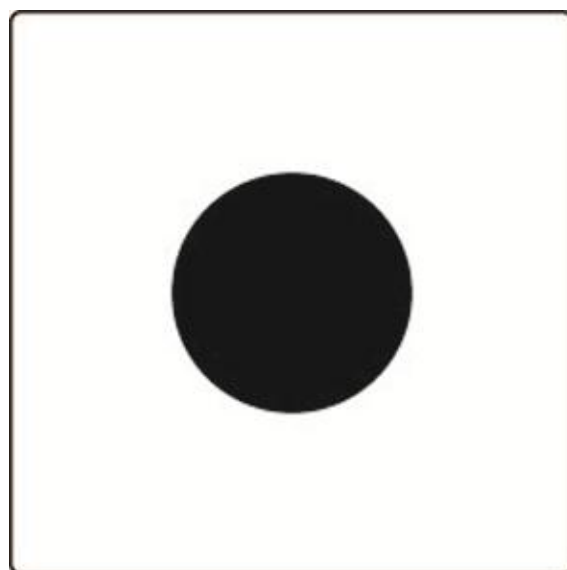




Product information

Series AMI

Camera module AMI10500



Note on the validity of this product information

This product information states specific information on the module.

It is only valid in combination with the enclosed product information *Modules of the series AMI in front-door stations*.

Scope of delivery

- 1 x Camera module AMI10500
- 3 x Spacer foil 0.5 mm
- 4 x Securing nut M4
- 1 x Screw driver with round handle
- Product information camera module AMI10500
- Product information modules of the series AMI in front-door stations

Intended use

- The camera module AMI10500-0080 is a module for front-door stations of the series AMI in individualised assembly.
- It is suitable in combination with the display module AMI1010x and the built-in door loudspeaker module AMI11100.

Short description

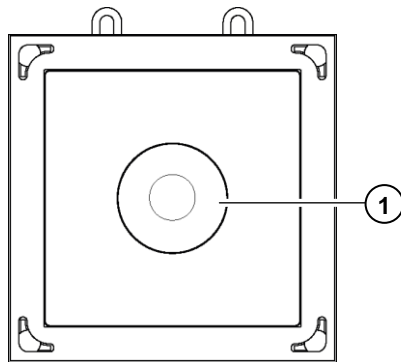
- automatic switching between black-white/color
- connection for Service Device

Technical data

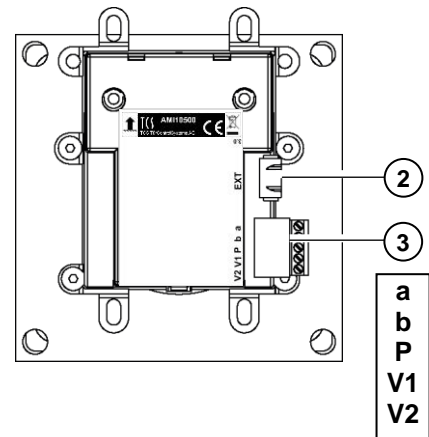
supply voltage	+24 V \pm 8 % (power supply and control unit)
housing	anodised aluminium
camera unit	plastics
viewing window	acrylic glass
H x W x D	105 x 105 x 43 mm
weight	305 g
acceptable ambient temperature	-20 °C to +50 °C
input current standby	I(P) = 0 mA I(P) = 90 mA
max. input current	I(P) = 90 mA
video output	symmetric 1 Vss FBAS
camera	
CCD sensor	0.8 mm (1/3 inch), Sony Super HAD
resolution	420 lines (TVL)
light sensitivity	0.2 Lux at F2.0
lens	F 2.0, Board Lens
focal length	f = 3.6 mm
capture	ca. 90 ° diagonally

5-wire technique necessary

Overview



- 1 viewing window, camera
- 2 connection for another module with 4-pin connection cable
- 3 connection TCS:BUS[®] and video



Installation

Requirements for the installation site

- Harmful environmental conditions can reduce the durability or can cause malfunctions.
- Do not install the camera module on sites, where it is directly exposed to rain. Water droplets on the dome or the viewing window may affect the image quality.

Do not install and operate the camera modules on sites with:

- strong dust and dirt formation,
- water vapour or oil clouds (e.g. kitchen),
- direct solar radiation,
- unsuitable ambient temperatures (see technical data),
- strong sources of radiation (e.g. x-ray radiation, radio stations or magnetic fields),
- corrosive gases or salt water

Installation height

The installation height of the front-door station has to be chosen considering the coverage of the camera. Persons with an average size are optimally captured with a mounting height for the camera of 1.60m above ground.

Installation site

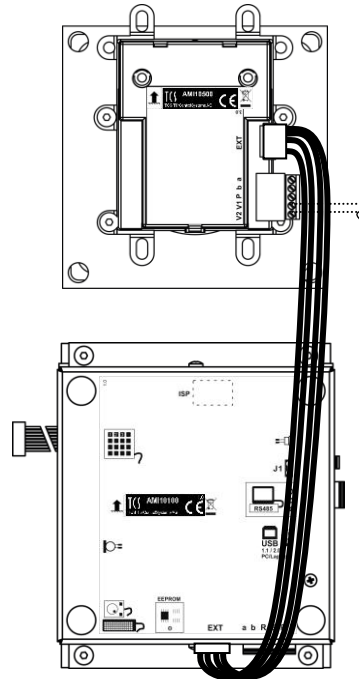
! Please observe the installation site! The arrow on the type label must face upwards!

Connect the lines

Connect the modules within the front-door station

After the installation of the front panel, the modules themselves have to be connected.

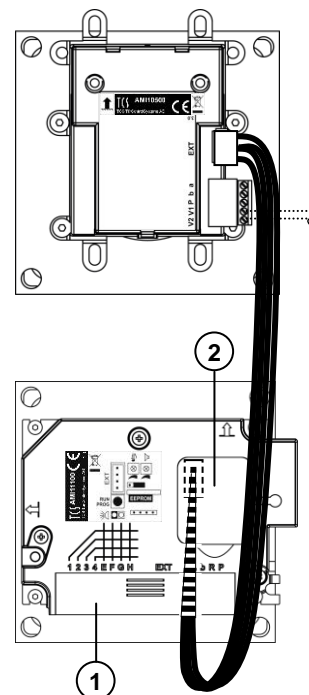
... in connection with the display module AMI1010x



... in connection with the built-in door loud speaker module AMI11100

built-in door loudspeaker module AMI11100

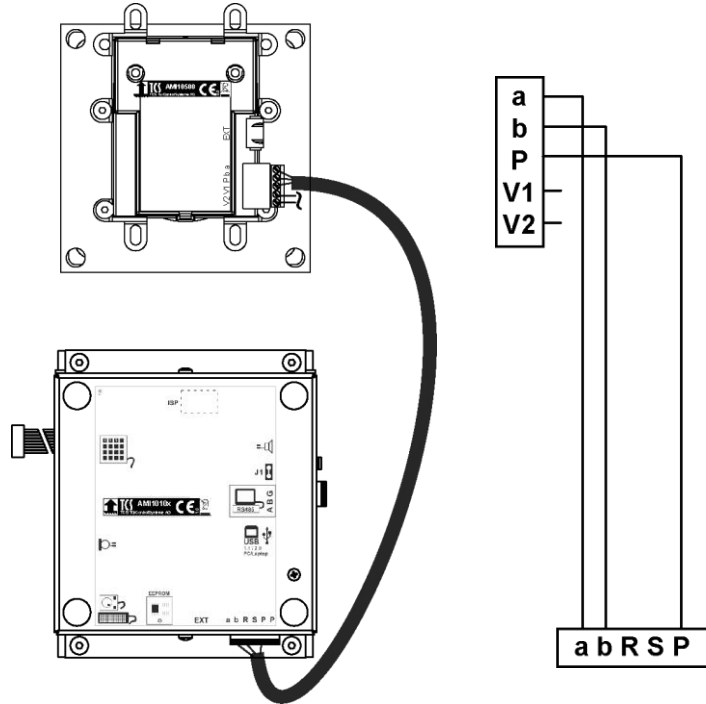
- Remove the terminal cover
 - (1). Open the cover of the service opening
 - (2).
- Plug the connection cable with 4 pins on the service socket in the service opening.
- Guide the cable under the module cover back to the terminals.
- Close the service opening and terminal cover.



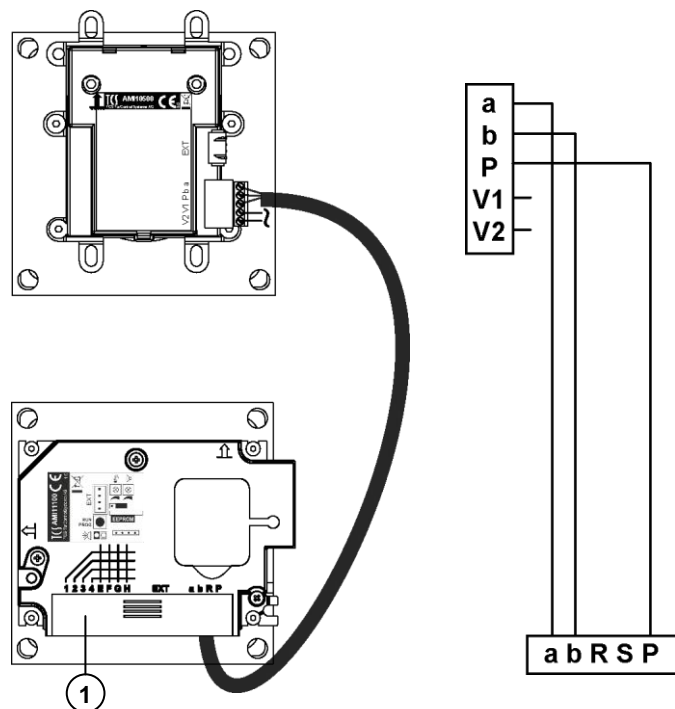
Connect the module to the TCS:BUS®

Alternative, the camera module can also be connected via the TCS:BUS® (screw terminal) to another module.

... in connection with the display module AMI1010x



... in connection with the built-in door loud speaker module AMI11100



built-in door loudspeaker module AMI11100

- Remove the terminal cover (1).
- Connect the cable.
- Close the terminal cover.

Commissioning

- **First install the system completely, then connect it to the main voltage!**



- V1 and V2 must not be connected with P-, a- or b-wire.
- When connecting the video wires V1 (+) and V2 (-), please observe the polarity.

- Check a-, b- and P-wire against each other for short circuits.
- Switch ON the mains voltage.

Accessory, spare parts

short text	article number
maintenance package	FBI1210-0
built-in camera	E14148

Notes

Service

Please send your questions and inquiries to
hotline@tcsag.de

Headquarters

TCS TürControlSysteme AG, Geschwister-Scholl-Str. 7, D-39307 Genthin
Fon: +49 (0) 3933 / 879910, Fax: +49 (0) 3933 / 8799 11, E-Mail: info@tcs-germany.de, Internet:
www.tcsag.de