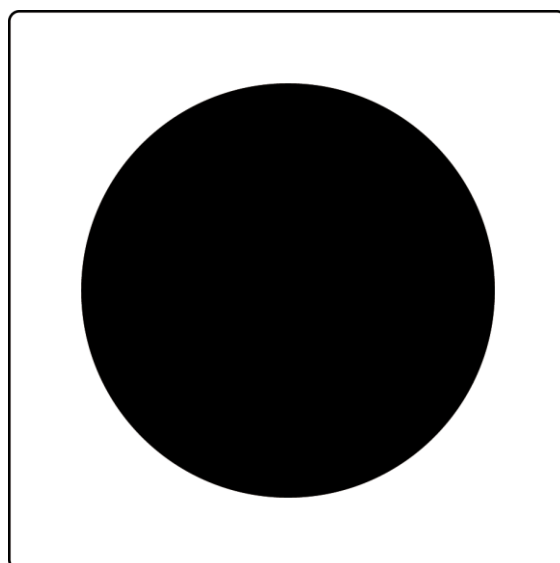




Product information

Series AMI

Dome camera module AMI10600



Note on the validity of this product information

This product information states specific information on the module.

It is only valid in combination with the enclosed product information *Modules of the series AMI in front-door stations*.

Scope of delivery

- 1 x Dome camera module AMI10600
- 1 x Hexagon Allen key
- 4 x Securing nut M4
- 1 x Screw driver with round handle
- 3 x Spacer foil 0.5 mm
- Product information *Dome camera module AMI10600*
- Product information modules of the series AMI in front-door stations
- Product information *two-wire video transmitter FVW2000-0600*

Intended use

The dome camera module AMI10600 is a module for front-door stations of the series AMI.

Short description

- The image sensor with Cam_inPIX® technology optimal controls all pixel. The high dynamic range (**Ultra Wide Dynamic Range**) ensures an improved reproduction of details and color, even with high contrast and strong back light.
- The dome camera can be manually tilted $\pm 60^\circ$ horizontally and vertically.
- The output level of the two-wire video signals can be manually adjusted from -3 dB to 9 dB.

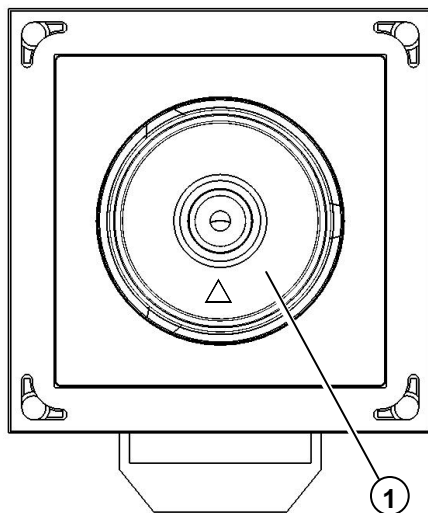
Technical data

Technical data on the two-wire video transmitter integrated in the camera FVW2000-0600 see product information *two-wire video transmitter* or on the Internet under [product information > extended functions](#).

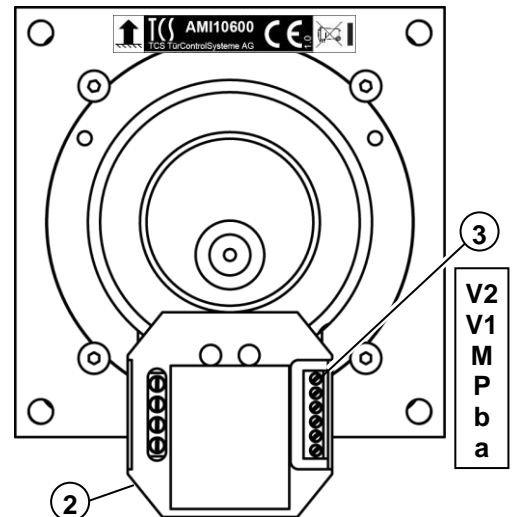
supply voltage	+26 V / DC (from P-wire)
housing	anodised aluminium
dome	acrylic glass, nanosealing
H x W x D	125 x 105 x 42 mm
weight	455 g
acceptable ambient temperature	-10°C to + 50°C
input current standby	I(P) = 0 mA
	I(P) = 90 mA
max. input current	I(P) = 90 mA

camera	Auto Electronic Shutter (AES), Auto Gain Control (AGC), Auto White Balance (AWB)
DPS sensor resolution	0.8 mm (1/3 inch), with PIXIM technology
light sensitivity	540 lines (TVL)
focal length	1.0 Lux / F 1.4 (50 IRE)
capture	f = 3.6 mm
	ca. 90° diagonally
can be tilted manually	±60 ° horizontally and vertically
6-wire technique necessary	

Overview



- 1 **Camera with dome**
- 2 **Integrated two-wire video transmitter FVW2000-0600**
- 3 **Terminal TCS:BUS® and video**



ddd

Installation

Requirements for the installation site

- Harmful environmental conditions can reduce the durability or can cause malfunctions.
- Do not install the camera module on sites, where it is directly exposed to rain or direct solar radiation. Water droplets on the dome or the viewing window may affect the image quality.

Do not install and operate the camera modules on sites with:

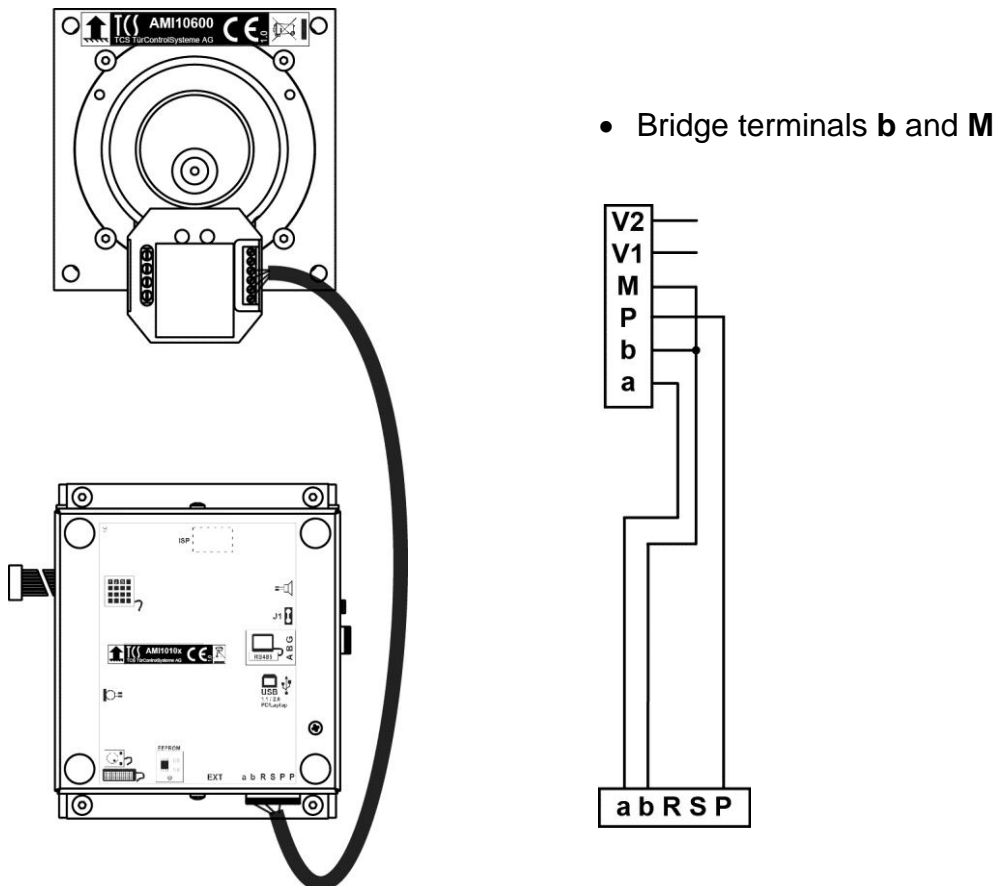
- strong dust and dirt formation,
- water vapour or oil clouds (e.g. kitchen),
- direct solar radiation,
- unsuitable ambient temperatures (see technical data),
- strong sources of radiation (e.g. x-ray radiation, radio stations or magnetic fields),
- corrosive gases or salt water

Installation site

! Please observe the installation site! The arrow on the type label must face upwards!

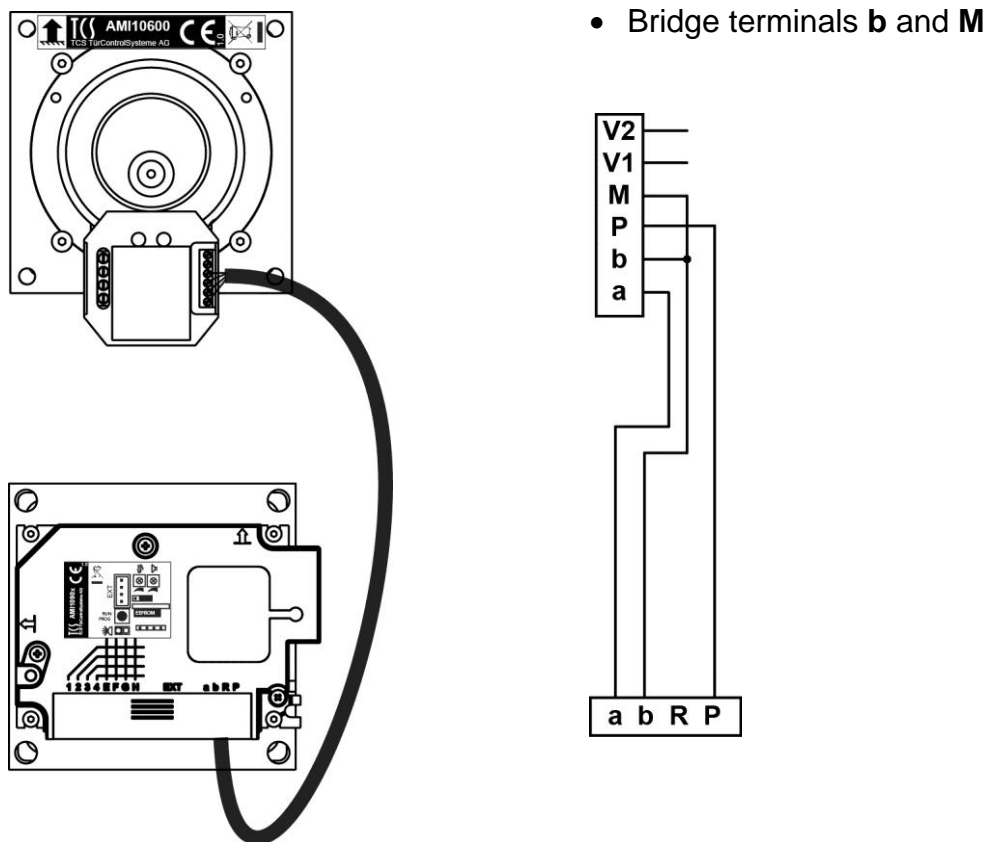
Connect the lines

... in connection with the display module AMI1010x



! Connect the TCS video system (**V1**, **V2**) to the two-wire video transmitter. For connection see enclosed *product information FVW2000-0600*.

... in connection with the built-in door loud speaker module AMI11100



Connect the TCS video system (**V1**, **V2**) to the two-wire video transmitter.
For connection see enclosed *product information FVW2000-0600*.

Commissioning

- **First install the system completely, then connect it to the main voltage!**

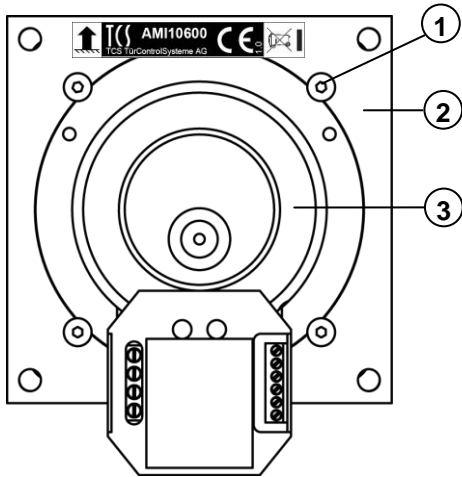


- V1 and V2 must not be connected with P-, a- or b-wire.
- When connecting the video wires V1 (+) and V2 (-), please observe the polarity.

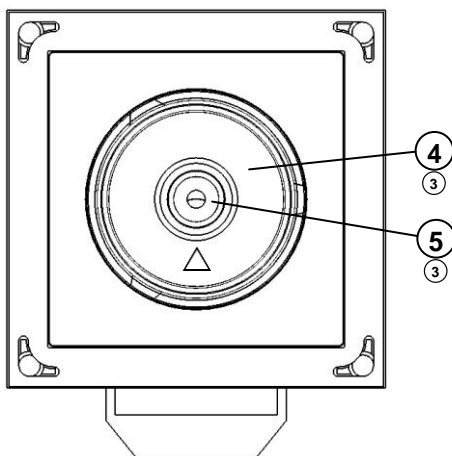
- Check a-, b- and P-wire against each other for short circuits.
- Switch ON the mains voltage.

Settings

Settings for the dome camera



- Loosen the fastening screws (1) of the camera on the module plate (2).
- Remove the camera unit (3).



- The pan head (4) is now accessible.
 - Adjust the dome camera by slightly pushing and tilting the pan head.
- Note: When dome camera is in centred position, the arrow points upwards.
- Check the video image on a monitor.
 - If necessary, set the image sharpness by adjusting the lens (5).

Notes

Service

Please send your questions and inquiries to
hotline@tcsag.de

Headquarters

TCS TürControlSysteme AG, Geschwister-Scholl-Str. 7, D-39307 Genthin
Fon: +49 (0) 3933 / 879910, Fax: +49 (0) 3933 / 8799 11, E-Mail: info@tcs-germany.de, Internet: www.tcsag.de