

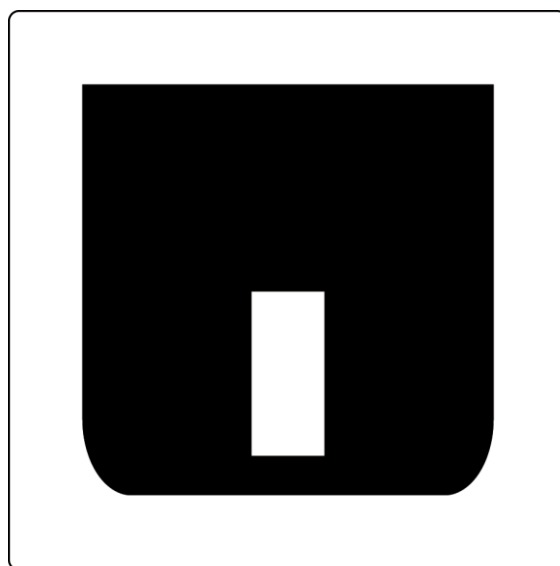


Product information

Series AMI

Fingerprint scanner module

AMI10800



Note on the validity of this product information

This product information states specific information on the module.

It is only valid in combination with the enclosed product information *Modules of the series AMI in front-door stations*.

Scope of delivery

- 1 x Fingerprint scanner module AMI10800, inclusive:
 - Fingerprint scanner,
 - Control unit in DIN-rail, 1 relay
 - Transformer NWV1000-0400
 - 4 x Securing nut M4
 - 3 x Spacer foil 0.5 mm
- Product information fingerprint scanner module AMI10800
Product information modules of the series AMI in front-door stations
Technical documentation for fingerprint scanner of the manufacturer *ekey*

Intended use

The fingerprint scanner module AMI10800 is a module for front-door stations of the series AMI.

As a module for biometric access control, it is suitable for stand-alone operation.

As an additional module, it has to be placed below illumination, keypad, jogwheel or bell button module.

Also see *product information modules of the series AMI > installation positions for modules in front-door stations*

Short description

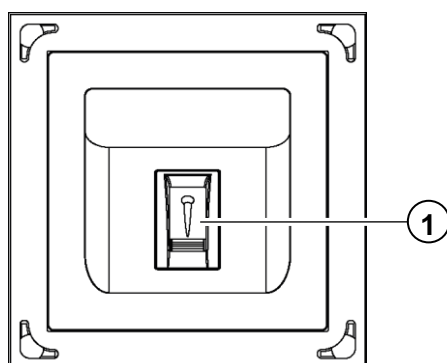
Fingerprint scanner module for front-door stations of the series AMI with customised fitting

- storage for up to 99 fingerprints.
- manual import of fingerprints
- secure in the event of power failure: data is stored and is not lost
- security code for configuration can be set
- fingerprint scanner and control unit are allocated to one another and tamper-proof
- commissioning and operation via the control unit
- optical acknowledgement when enrolled finger is recognised
- door release function with potential-free relay contact (two-way contact: 42 V AC/DC / 2 A)
- recommended cable J-Y(ST)Y4x2x0.8

Technical data

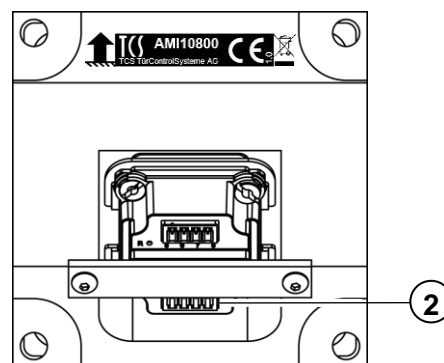
supply voltage	230 V AC (by transformer to operating voltage, enclosed in the delivery)
operating voltage control unit	8 - 24 V AC/DC (control unit supplies fingerprint scanner module, enclosed in the delivery)
housing fingerprint scanner	anodised aluminium plastics, finger recess anodised aluminium
H x W x D fingerprint scanner module control unit transformer	105 x 105 x 48 mm 86 x 70 x 54 mm 110 x 35 x 60 mm
weight fingerprint scanner module control unit transformer	590 g 460 g 400 g
acceptable ambient temperature (fingerprint scanner)	-25 °C to +70 °C
input current standby max. input current	I(P) = 85 mA I(P) = 90 mA
power consumption	approx. 1 W
fingerprint scanner biometric characteristics	FAR $1,0 \times 10^{-6}$ at FRR $1,4 \times 10^{-2}$

Overview



1 Fingerprint scanner
with finger recess

2 Terminals 1 to 4 to
the control unit



Installation

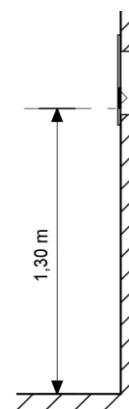
Requirements for the installation site

- Harmful environmental conditions can reduce the durability or can cause malfunctions.
- Do not install and operate the fingerprint scanner module on sites with direct solar radiation or unsuitable ambient temperatures (see *Technical data*, page 3).

- ! • Moisture on the fingerprint scanner may affect the functionality resp. can cause malfunctions.
- Please also observe the requirements stated in the enclosed technical documentation of the manufacturer *ekey!*

Installation height

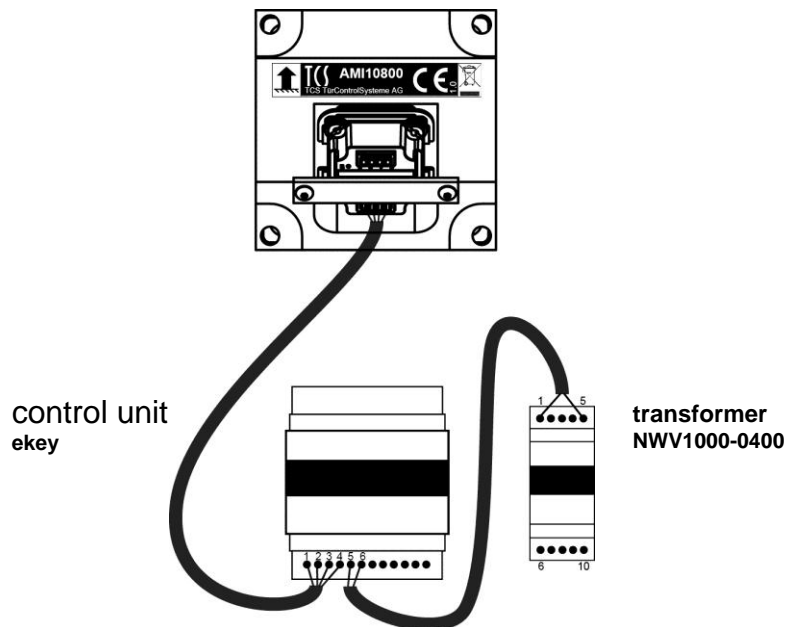
recommended installation height for the fingerprint scanner module:
bottom edge 1.30 m or higher



Connect the lines

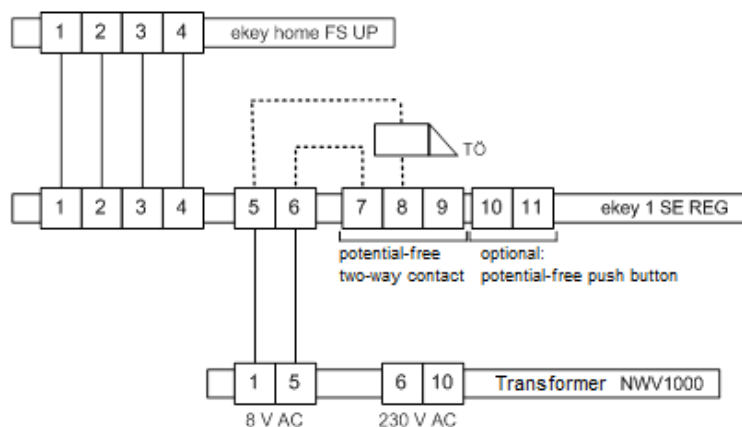
Connect the module to the control unit and the power supply unit.

AMI10800 as stand-alone device



- Connect the fingerprint scanner module AMI10800 with the terminals 1, 2, 3, 4 to the ekey control unit.
- Connect the ekey DIN-rail case 1 to the transformer NWV1000-0400.

Wiring example



! Please also observe the enclosed technical documentation on the fingerprint scanner module of the manufacturer ekey!

Notes

Notes

Service

Please send your questions and inquiries to
hotline@tcsag.de

Headquarters

TCS TürControlSysteme AG, Geschwister-Scholl-Str. 7, D-39307 Genthin
Fon: +49 (0) 3933 / 879910, Fax: +49 (0) 3933 / 8799 11, E-Mail: info@tcs-germany.de, Internet: www.tcsag.de