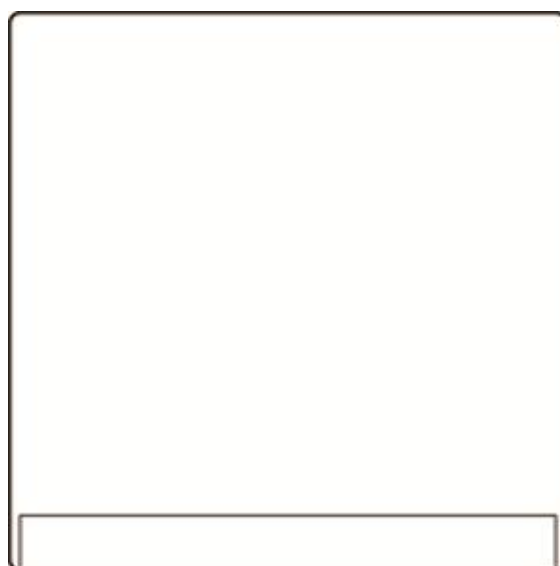




Product information

Series AMI

Illumination module AMI11400



Note on the validity of this product information

This product information states specific information on the module.

It is only valid in combination with the enclosed product information *Modules of the series AMI in front-door stations*.

Scope of delivery

- 1 x Illumination module AMI11400
- 3 x Spacer foil 0.5 mm
- 1 x 4-pin connecting cable
- 4 x Securing nut M4
 - Product information illumination module AMI11400
 - Product information modules of the series AMI in front-door stations

Intended use

- The illumination module AMI11400 is a module for front-door stations of the series AMI.
- It illuminates input modules (e.g. keypad modules).
- It can only be used in combination with a display module AMI1010x, a built-in door loudspeaker module AMI11100 or any other module with 4-pin connecting cable e.g. codelock module AMI11200.

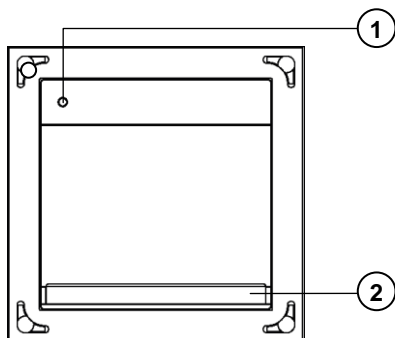
Short description

- Integrated illumination unit with RGB-LED
- Integrated dimmer switch
- Dimmer switch is used to control the illumination of the module itself and other illuminated modules (bell button module, info module)
- To connect via 4-pin connecting cable, second terminal for outgoing connections to the next module.

Technical data

housing	aluminium, anodised
light emission	polycarbonate (PC)
HxWxD	105 x 105 x 36 mm
weight	280 g
acceptable ambient temperature	-25 °C to +55 °C
input current standby	I(P) = 4 mA
max. input current	I(P) = 200 mA
3-wire technique necessary	

Overview

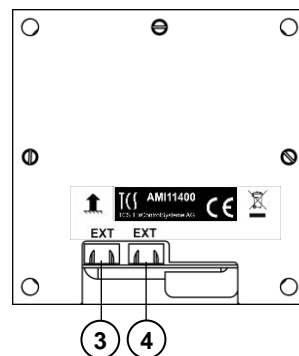


1 Dimmer switch

2 Light emission

3 Connection
display module
AMI1010x or built-in door
loudspeaker module AMI
11100

4 Connection
module with 4-pin con-
necting cable (bellbutton
module AMI 1090x,
codelock module
AMI11200)

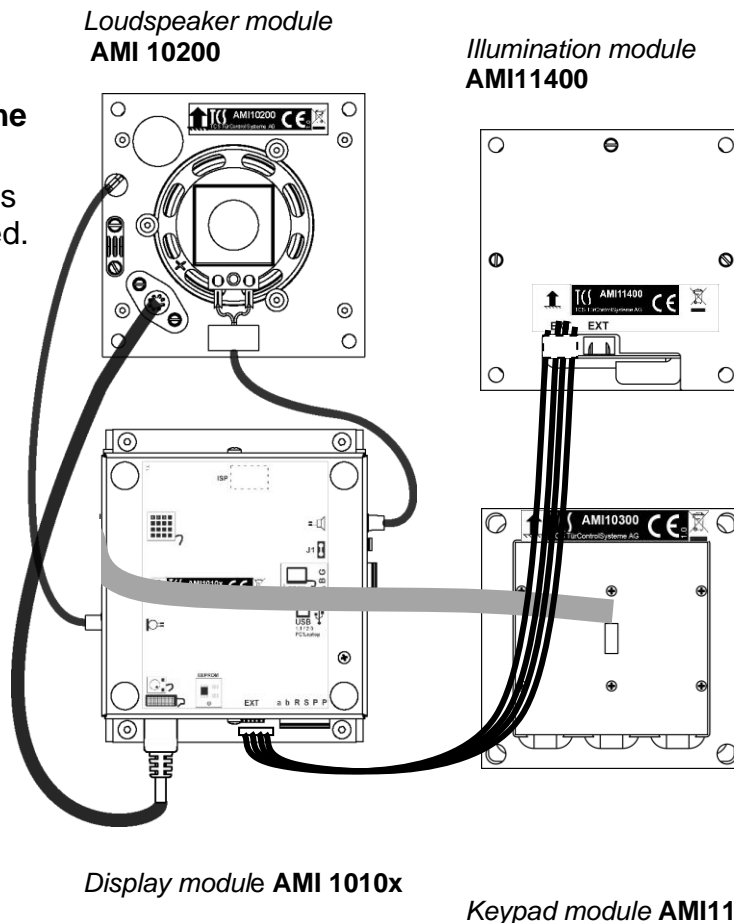


Connect the lines

Installation example

Connect the modules within the front-door station

After the installation, the modules themselves have to be connected.



Configuration

Factory settings

dimmer switch	active
threshold value	step 3 (of 8)
color of the illumination	white

Configuration options

	manually	TCSK-01	configo™ as of version 1.7.1
color	-	-	X
brightness	-	-	X
threshold value (8 steps)	-	-	X

Accessory

short text	article number
maintenance package	FBI1210-0

Service

Please send your questions and inquiries to
hotline@tcsag.de

Headquarters

TCS TürControlSysteme AG, Geschwister-Scholl-Str. 7, D-39307 Genthin
 Fon: +49 (0) 3933 / 879910, Fax: +49 (0) 3933 / 8799 11, E-Mail: info@tcs-germany.de, Internet: www.tcsag.de