

Product Information

**Pre-configured comfort
door communication system
home:packs
PSC2xx0
PSU2xx0
PSI2xx0**

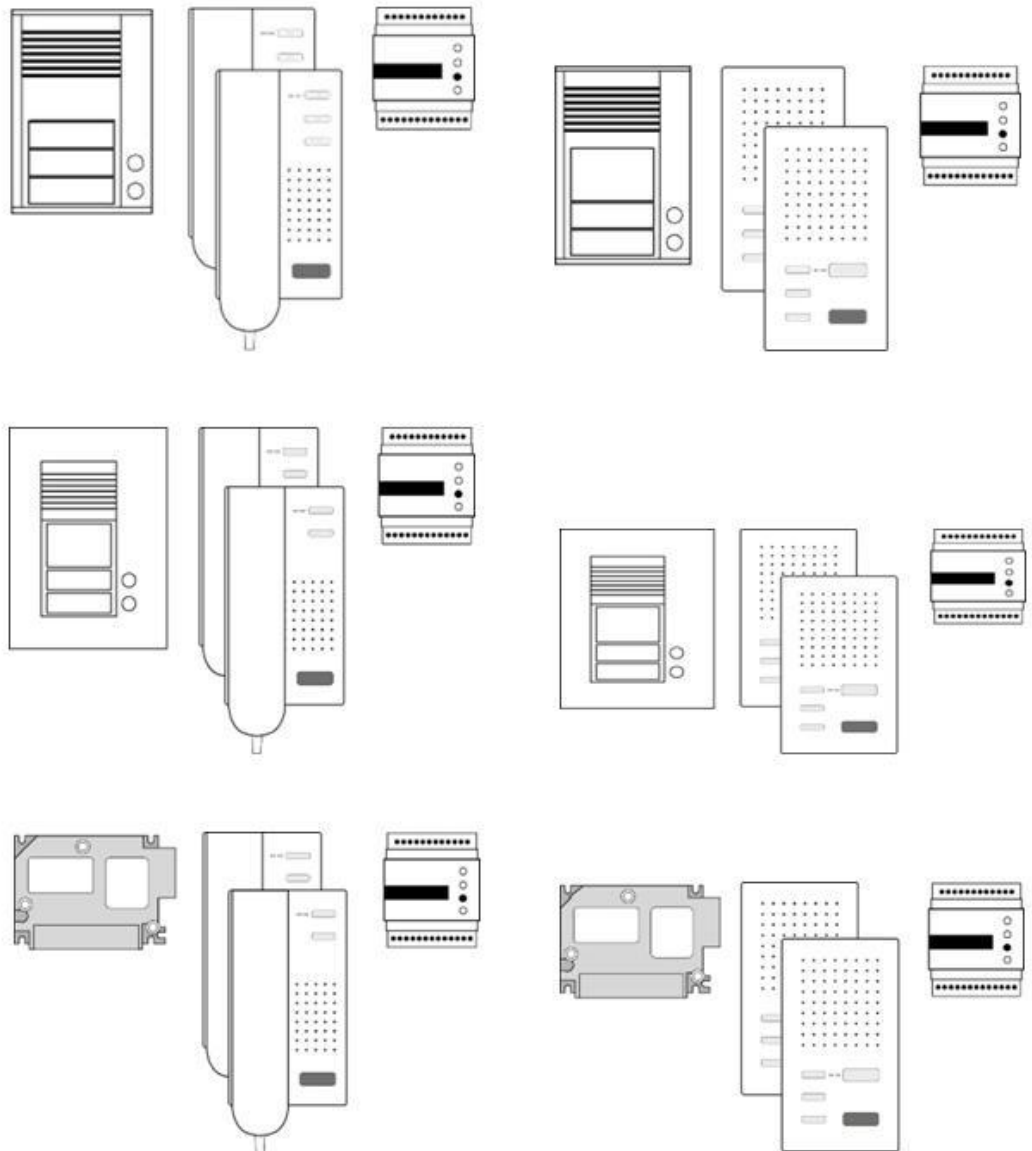


Table of content

Scope of delivery	2
Safety instructions	3
Intended use	3
Short description	3
Technical data	4
Wiring example home:packs	4
Observe when unpacking.....	4
Connect the lines	5
Front-door station (PAK or PUK) in 2-wire special operation	5
Connect the bell buttons to the built-in door loudspeaker ASI11000	5
Commissioning	6
Settings	6
ISH3130 and ISW3130.....	6
Further settings	6
Configuration options	6
Labeling the name plate glass.....	6
Programming bell buttons	6
Repair	6
Cleaning	7
Conformity	7
Information on disposal	7
Warranty	7
Service	8

Scope of delivery

Scope of delivery of the several package variants of the pre-configured comfort door communication systems home:packs.

PSC21x0	1 x front-door station PAK01-EN (PAK02-EN) 1(2) x comfort indoor station(s) with handset ISH3130
PSC22x0	1x front-door station PAK01-EN (PAK02-EN) 1(2)x comfort indoor station(s) for hands-free talking ISW3130
PSU21x0	1 x front-door station PUK01-EN (PUK02-EN) 1(2) x comfort indoor station(s) with handset ISH3130
PSU22x0	1x front-door station PUK01-EN (PUK02-EN) 1(2)x comfort indoor station(s) for hands-free talking ISW3130
PSI21x0	1 x built-in door loudspeaker ASI11000 1(2) x comfort indoor station(s) with handset ISH3130
PSI22x0	1x built-in door loudspeaker ASI11000 1(2)x comfort indoor station(s) for hands-free talking ISW3130

All package variants include a power supply and control unit BVS20-SG as well as the product information of the package components (each in their packaging).

Safety instructions

! Attention! Mounting, installation, commissioning and repair of electrical devices have to be carried out only by qualified electricians. The standard for the prevention of accidents must be observed.

When working in systems with 230 V mains voltage, the safety requirements according to DIN VDE 0100 must be observed.

When installing TCS:BUS systems, the general safety regulations for telecommunication systems according to VDE 0800 must be observed.

! Further safety instructions:
You will find further safety instructions in the product information of the package components.

Intended use

The home:packs are complete, pre-configured comfort door communication systems with a front-door station for surface or flush-mount or a built-in door loudspeaker as well as an indoor station(s) with handset or for comfort hands-free talking devices. Each bell button is allocated to an indoor station.

Suitable for the one-family and semidetached house with 1 or 2 flats.

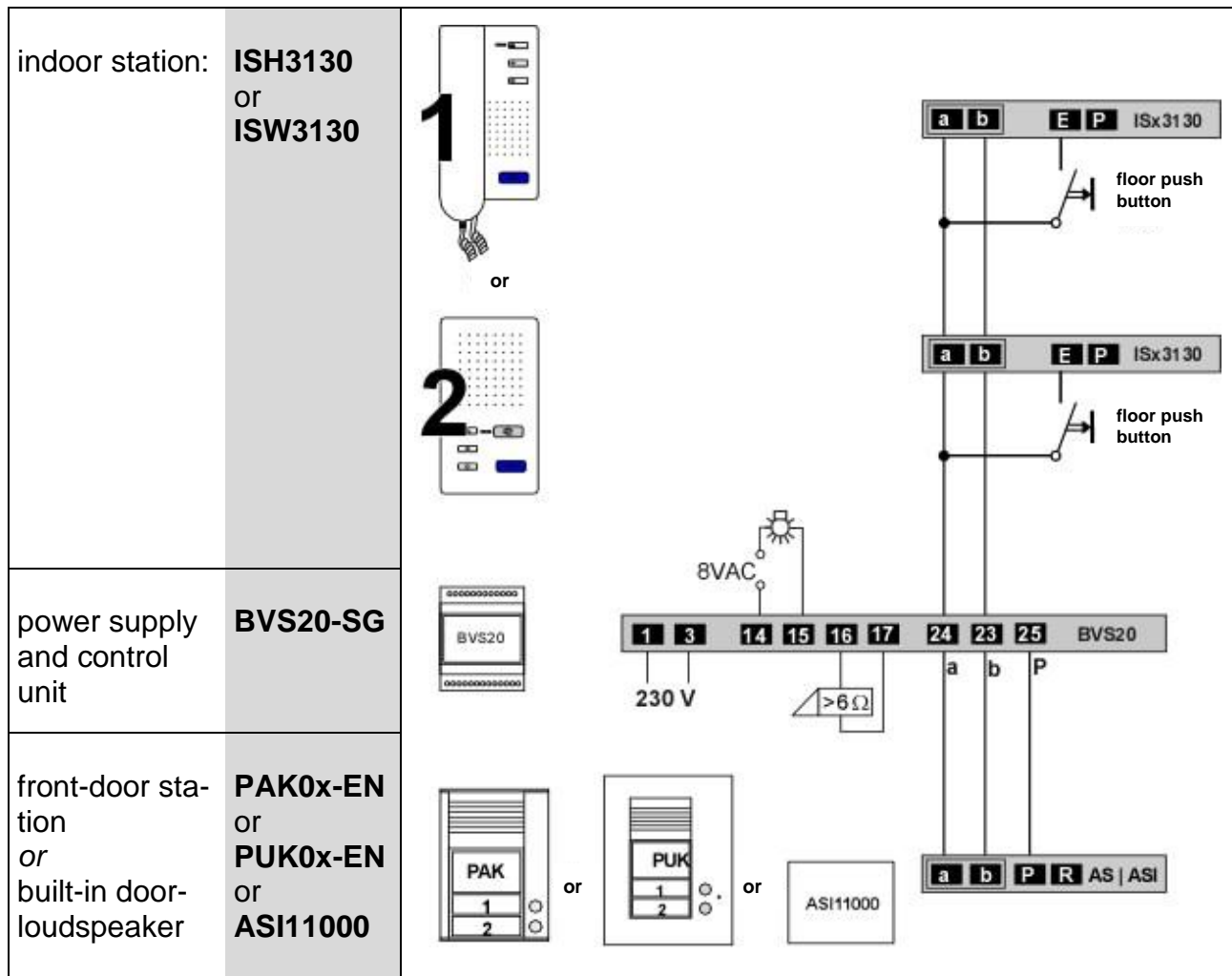
Short description

- The home:packs consists of three TCS package components: front-door station or built-in door loudspeaker, indoor station(s) with handset or for comfort hands-free talking devices as well as a power supply and control unit.
- Features of the package components:
Please see product information of the package components.
- Depending on the power of the control unit, the home:packs can be extended with indoor stations or extended functions (call relay and radio signal device with radio transmitter board).

Technical data

Please see product information of the package components.

Wiring example home:packs



Installation

Observe when unpacking

There are number stickers (1 and 2) at the packaging of the indoor stations.

! When installing the comfort indoor stations for hands-free talking, observe the numbers (1 and 2), for the correct allocation to the bell buttons of the front-door station.

Please see product information of the package components.

Connect the lines

- Connect the package components according to the wiring example home:packs.

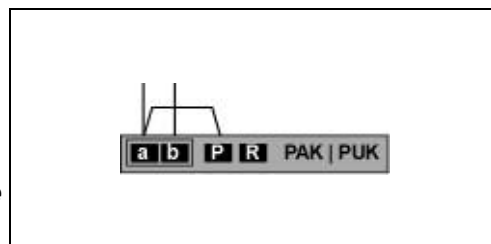
! Use the included small screwdriver to connect the lines and to avoid damaging the device.

Front-door station (PAK or PUK) in 2-wire special operation

In this operation mode only one front-door station can be connected!

A P-wire is to be realised by a bridge between terminal a and P.

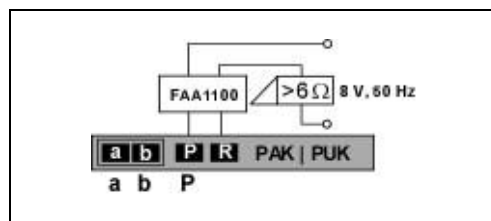
Note: The front-door station does not work, if the bridge is connected to b instead of a.



Connect a door release relay to the PAK or PUK

There is the possibility to connect a door release relay if more than one front-door station is connected.

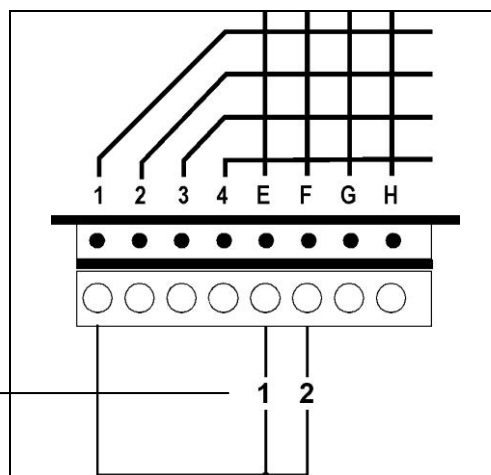
Please observe the product information of the door release relay.



Connect the bell buttons to the built-in door loudspeaker ASI11000

The bell buttons provided by customer have to be connected to the connection terminals (matrix points) of the built-in door loudspeaker ASI11000 according to the opposite illustration.

indoor station with number as on number sticker (1 and 2)



! When installing additional (e.g. connected parallel) comfort indoor stations, the max. permitted number must be observed.

! See product information indoor station.

Observe the information *Installation* and *Technical data* in the product information ASI11000.

Commissioning

- Install the devices of the system completely.
- Check the a-, b- and P-wire against each other for short-circuit.
- Switch on the mains voltage.

Settings

ISH3130 and ISW3130

ISH3130 and ISW3130 are in 2-wire operation when delivered and do not need to be configured if the connection is realised according to the wiring example.

Further settings

Please see product information of the package components.

Configuration options

With the comfort indoor stations, an internal call is possible. This function is not pre-configured. With the Service Device or the configuration software configo™, an internal call can be programmed.

Please see product information of the indoor station.

Labeling the name plate glass

Please see product information of the front-door station.

Programming bell buttons

The comfort indoor stations are allocated to the bell buttons ex works and do not need to be programmed. If an indoor station has to be replaced, please take the information for programming the bell buttons from the product information from the product information of the comfort indoor station (repair) or front-door station.


Repair

Please see product information of the indoor station and front-door station.

Cleaning

Please see product information of the indoor station and front-door station.

Conformity

 Declarations of conformity are available under www.tcsag.de, Downloads, trade information.

Information on disposal



The adjoining symbol shows that the device has to be disposed separately from domestic waste. The materials used are recyclable. Please do help protecting our environment and dispose the device via a collection point for electronic scrap.



Dispose the parts of the packaging in collecting tanks for cardboard and paper resp. plastics.

Warranty

We offer a **simplified processing** in case of warranty for electricians.

- TCS offers an extended warranty period of 3 years. Please observe the included **guarantee fax!**
- Note our **conditions of sale and delivery** to download from www.tcsag.de, Downloads, trade information.
- Please contact us: **hotline@tcsag.de**.

Service

Please send your questions and inquiries to
hotline@tcsag.de

headquarteters

TCS TürControlSysteme AG, Geschwister-Scholl-Str. 7, 39307 Genthin, Germany
E-Mail: hotline@tcsag.de, www.tcsag.de